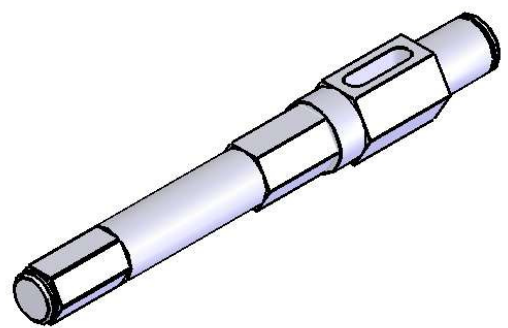


NOTE: ALL HEXAGON PORTIONS MEASURED FLAT TO FLAT



UNLESS OTHERWISE SPECIFIED:		NAME	DATE	CALIFORNIA STATE POLYTECHNIC UNIVERSITY, POMONA	
DIMENSIONS ARE IN INCHES TOLERANCES: FRACTIONAL ± .05 ANGULAR: ± 1 DEGREE TWO PLACE DECIMAL ± .05 THREE PLACE DECIMAL ± .005		DRAWN	TC	1-4-07	TITLE: GEARBOX OUTPUT SHAFT
MATERIAL .750" 7068 ALUMINUM ROUND STOCK		CHECKED			SIZE DWG. NO. REV
DO NOT SCALE DRAWING		COMMENTS: QTY 14 REQ'D		SCALE: 1:1 '07 ROBOT SHEET 1 OF 1	